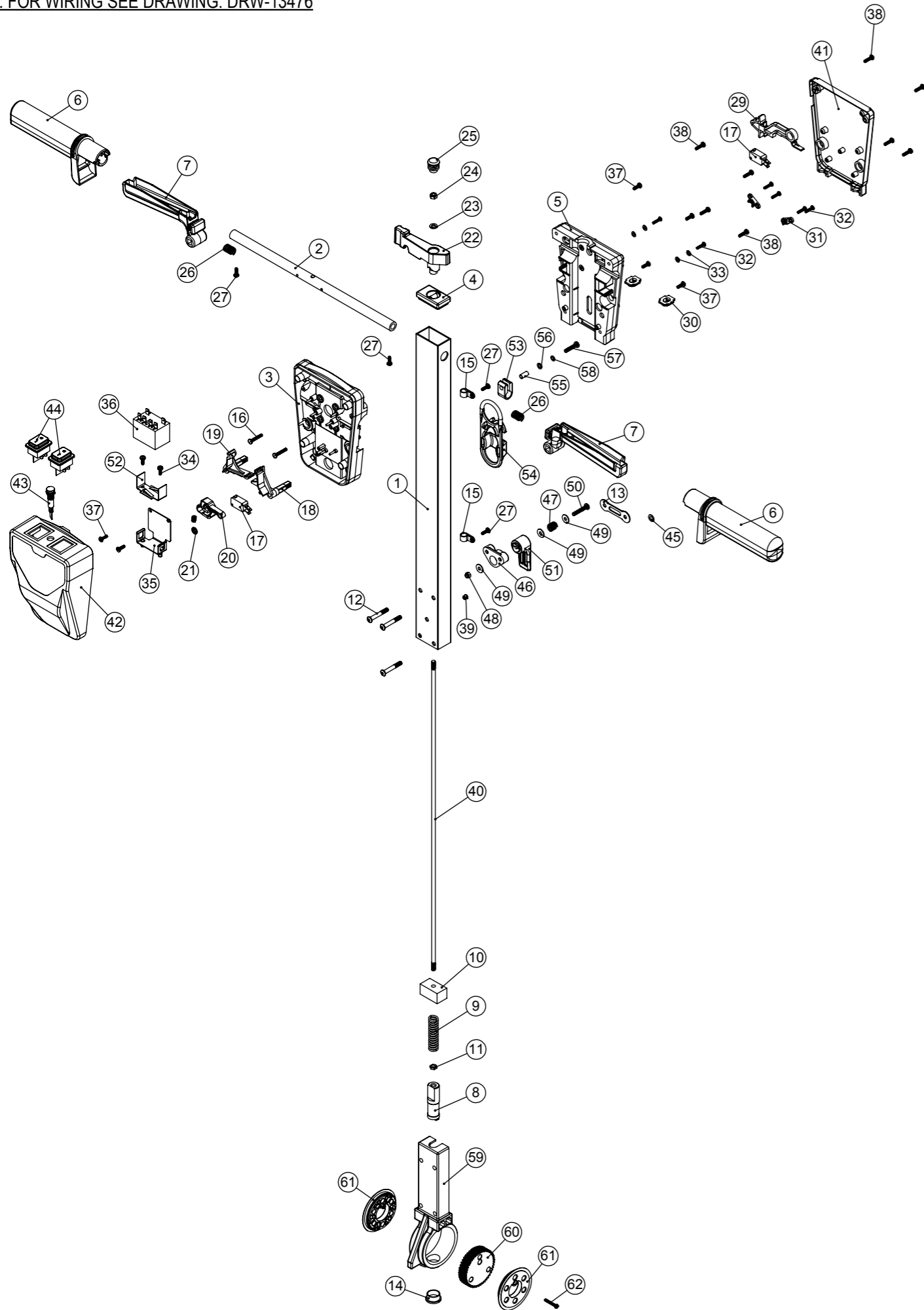


# Numatic International Spare Parts

**Model No:** TT (& HT)1840 (MAINS) HANDLE EXPLODED DRAWING ASSEMBLY

NB: FOR WIRING SEE DRAWING: DRW-13476

Internal Code: 234938  
DRAWING: DRW-13355 ISS:A18  
14/01/2019



# Numatic International Spare Parts

**Model No:** TT (& HT)1840 (MAINS) HANDLE EXPLODED DRAWING ASSEMBLY

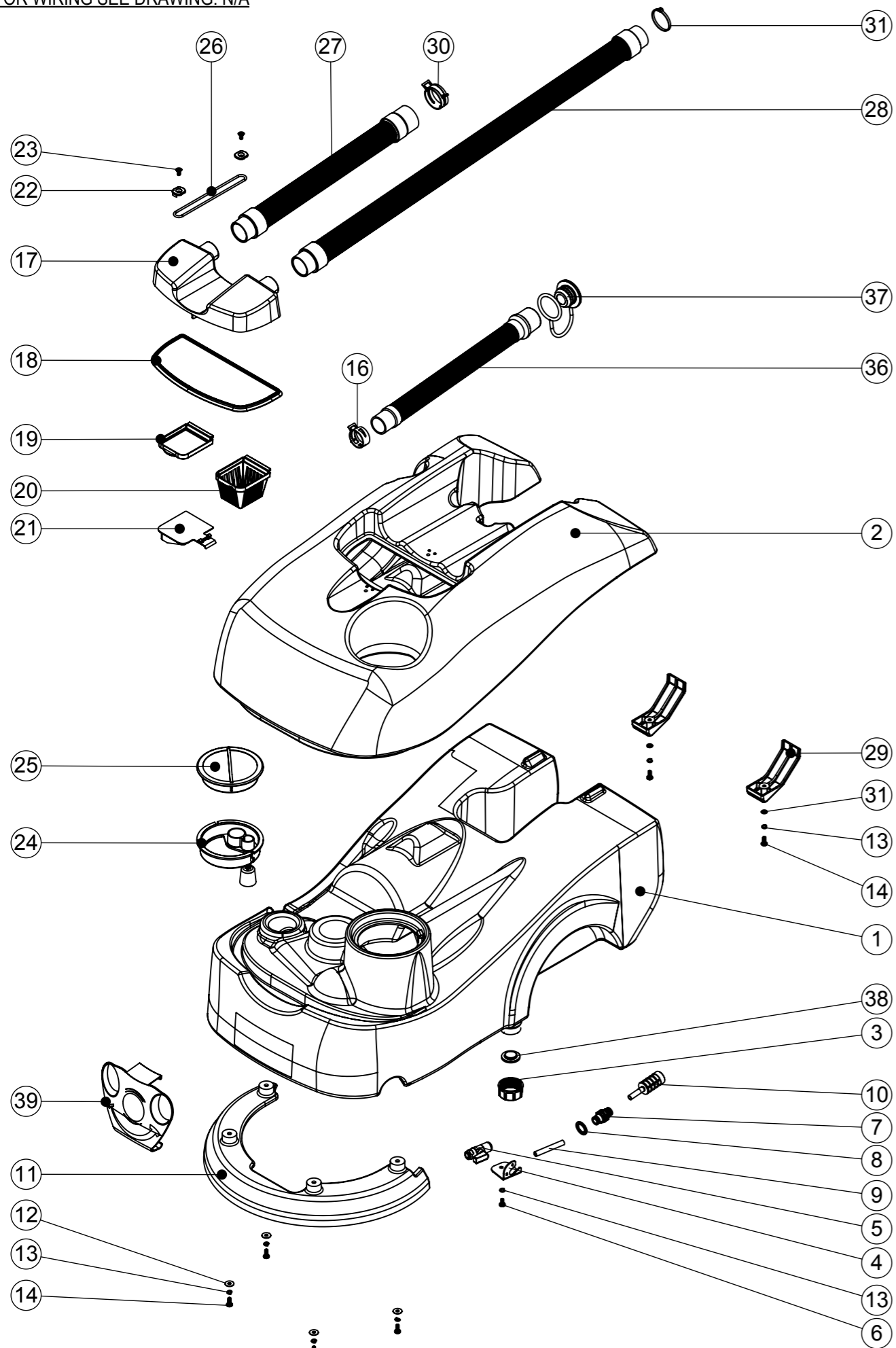
ITEM:	PART No:	DESCRIPTION	COMMENTS	QTY.
1	429138	TT 1840 HANDLE TUBE (MAINS) PAINTED		1
2	338269	CROSS TUBE		1
3	227576	FRONT INNER HALF MOULDING	HT 237542	1
4	903546	HANDLE PLUG MOULDING (RED)	GREY VERSION 227582	1
5	227577	REAR INNER HALF MOULDING	HT 237643	1
6	227580	HAND GRIP MOULDING	HT 237544	2
7	903547	TRIGGER MOULDING (RED)	GREY VERSION 227581	2
8	229073	GEAR LOCKING PIN		1
9	229138	SPRING		1
10	229030	ANTI VIBRATION PAD		1
11	219099	M6 HALF NUT		1
12	219807	M6 X 40MM LONG SOCKET BUTTON HEAD BOLT		3
13	229139	CABLE CLAMP		1
14	229099	25MM DIA HOLE PLUG		1
15	219393	P CLIP		2
16	219811	NO8 X 1 INCH LONG POZI-PAN SELF TAP SCREW		2
17	229483	SNAP ACTION SWITCH		2
18	227585	LEFT HAND SWITCH OPERATING LEVER MOULDING		1
19	227586	RIGHT HAND SWITCH OPERATING LEVER MOULDING		1
20	227587	CENTRE SWITCH OPERATING LEVER MOULDING		1
21	219805	4MM SPIREFIX		1
22	903545	ADJUSTMENT LEVER MOULDING (RED)	GREY VERSION 227583	1
23	219493	M6 NYLON WASHER		1
24	219642	M6 STAINLESS STEEL NYLON INSERT NUT		1
25	20638V	19MM BLACK TUBE END STOP		1
26	219803	TRIGGER COMPRESSION SPRING		2
27	219270	No8 X 1/2 INCH LONG POZI PAN SELF TAP SCREW		4
28	219804	SWITCH COMPRESSION SPRING		1
29	227584	INTERLOCK LEVER MOULDING		1
30	237467	BLANKING PLUG WITH HOLE		2
31	229669	LOLINE HANDLE CABLE CLAMP		2
32	219107	NO6.5/8 INCH LG.POZI-PAN.SCREW.Z/PL.PLASTITE		6
33	219206	M4 FORM A WASHER		4
34	219471	M4 X 12MM LONG POZI PAN SEMS SCREW		3
35	303526	NUTSERTED RELAY MOUNTING BRACKET		1
36	206575	240V / 25A RELAY		1
37	219101	No8 X 1/2 INCH LONG POZI PAN PLASTIITE SCREW		6
38	219105	No8 X 5/8 INCH LONG POZI PAN PLASTITE SCREW		8
39	229009	BLANKING PLUG		1
40	215029	610MM HANDLE LOCKING ROD		1
41	227579	REAR COVER MOULDING	HT 905663	1
42	229748	FRONT COVER MOULDING (MAINS & BATTERY)	HT 907547	1
43	220812	230V NEON INDICATOR & RED LENS		1
44	904045	SWITCH DPST RED MEMBRANE		2
45	219007	M6 FORM B WASHER		1
46	903882	CABLE RELEASE BASE MOULDING RED	GREY VERSION 227806	1
47	206599	SPRING (REF:C5514370)		1
48	219076	M5 NYLON INSERT NUT		1
49	219644	M5 FORM G STAINLESS STEEL WASHER		3
50	219720	M5 X 30MM LONG STAINLESS STEEL POZI PAN SCREW		1
51	903883	CABLE RELEASE TOP MOULDING RED	GREY VERSION 227807	1
52	206500	RELAY BRACKET		1
53	219743	CABLE CLEAT		1
54	902312	CABLE STRESS RELIEF		1
55	903192	SPIROL SPACER SP100 5MM NOM ID x 14MM		1
56	219355	M5 FORM A STAINLESS STEEL WASHER		1
57	219575	M5 X 25MM LONG POZI PAN STAINLESS STEEL SCREW		1
58	219016	M5 SHAKEPROOF WASHER		1
59	900398	HANDLE CASTING MACHINED (HNS VERSION)		1
60	900397	MINI ADJUSTMENT GEAR		1
61	900396	ADJUSTMENT GEAR SPACER		2
62	291150	NO6 X 1 INCH LONG POZI PAN SCREW S/S		1

# Numatic International Spare Parts

Model No: TT (& HT) 1840 TANKS ASSEMBLY EXPLODED DRAWING

Internal Code: 234939  
 DRAWING: DRW-13251 ISS:A20  
 PRO 14/01/2019

NB: FOR WIRING SEE DRAWING: N/A



# Numatic International Spare Parts

Model No: TT (& HT) 1840 TANKS ASSEMBLY EXPLODED DRAWING

ITEM NO.	PART NO.	DESCRIPTION	COMMENTS	QTY.
1	237464	TT 1840 CLEAN TANK (MAINS)	HT VERSION 909666	1
2	903299	TT 1840 TOP TANK (GRAPHITE)	BLUE VERSION 237465 HT VERSION 909667	1
3	905628	CAP MOULDING	REPLACES 208448 & 906415	1
4	392125	TTB 1840 TAP PLATE		1
5	216260	MINI BALL VALVE		1
6	219668	M5 X 10MM LONG POZI PAN STAINLESS STEEL SCREW		1
7	902109	8MM PUSH FIT BRASS BULKHEAD FITTING		1
8	208525	BONDED SEAL		1
9	303960	TANK FILTER TUBE		1
10	303961	TANK FILTER ASSEMBLY		1
11	237233	TTB 1840 DECK MOULDING	HT VERSION 907556	1
12	219644	M5 FORM G STAINLESS STEEL WASHER		4
13	219861	M5 SINGLE COIL STAINLESS STEEL WASHER		7
14	219740	M5 X 12MM LONG STAINLESS STEEL POZI PAN SCREW		6
16	208471	CONSTANT TENSION CLIP		1
17	237230	TTB 1840 SEPARATOR MOULDING		1
18	237418	TTB 1840 SEPARATOR SEAL MOULDING		1
19	237232	TTB 1840 AIR FILTER PANEL		1
20	237411	TOP TANK FILTER		1
21	237231	TTB 1840 SHUT OFF FLAP		1
22	903875	O RING CLIP MOULDING (RED)	BLACK VERSION 237397	2
23	291008	M5 X 10MM LONG POZI PAN COUNTERSUNK STAINLESS STEEL SCREW		2
24	303985	TTB 1840 FILLER CAP ASSEMBLY		1
25	903544	FILLER CAP LID (RED)	GREY VERSION 237268	1
26	208715	O RING (3mmDIA.95mm)		1
27	213055	TTB 1840 VAC HOSE C/W CUFFS		1
28	213054	SUCTION HOSE		1
29	237466	SKID PLATE MOULDING		2
30	208537	VAC HOSE CONSTANT TENSION CLIP		1
31	219355	M5 FORM A STAINLESS STEEL WASHER		2
31	220138	BLACK CABLE TIE		1
36	208466	TTB 1840 DUMP HOSE		1
37	903325	32MM HOSE CAP RED		1
38	905467	SEALING BUNG		1
39	907179	1840 FACE MOULDING (MODEL WITH GRAPHICS)		1

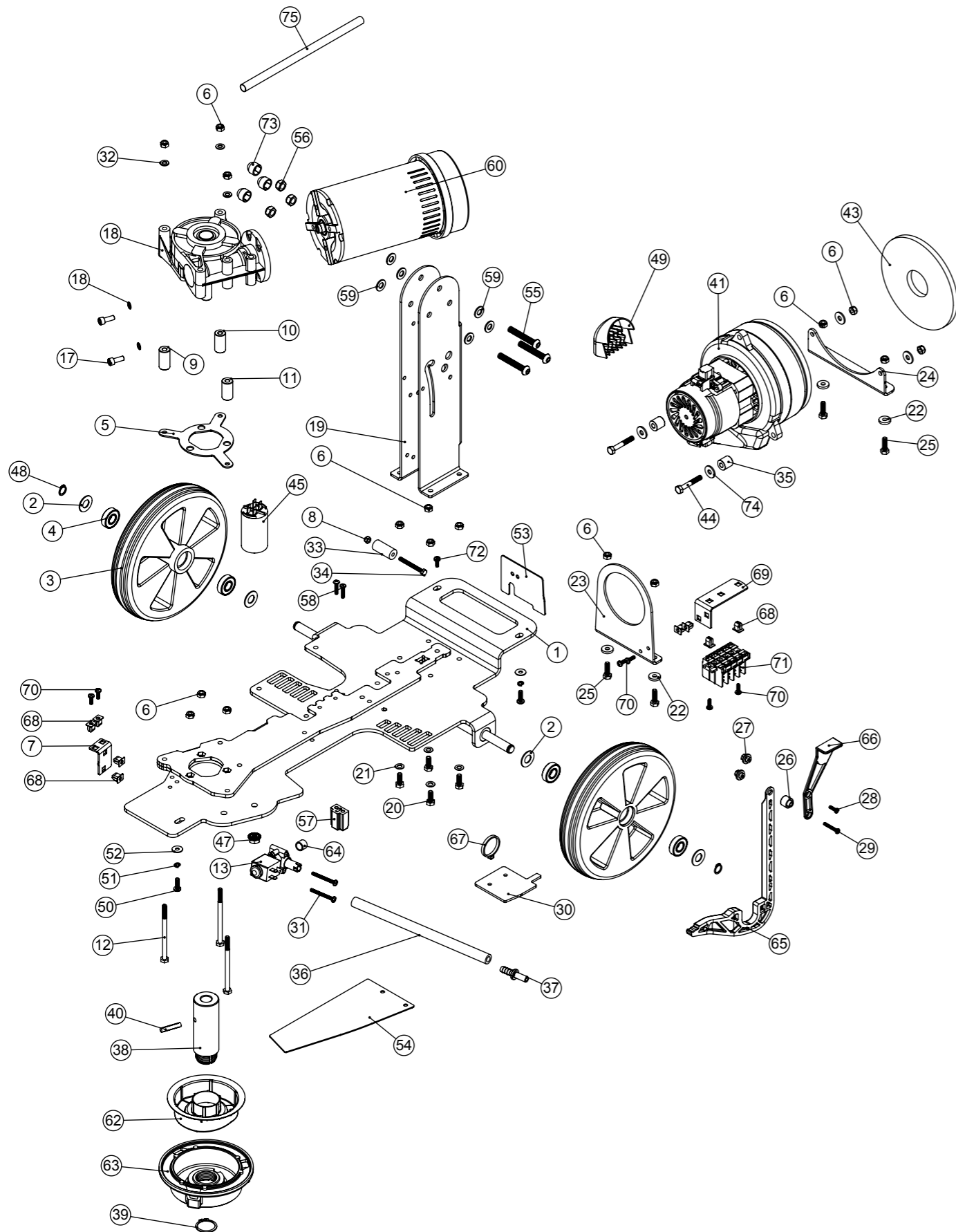
# Numatic International Spare Parts

**Model No:** TT 1840 MAINS BASE ASSEMBLY DRAWING (110-120V / 220-240V 50/60Hz)

FOR WIRING SEE DRAWING: DRW-13685

234937

DRAWING: DRW-13250 ISS:A17  
28/02/2018



# Numatic International Spare Parts

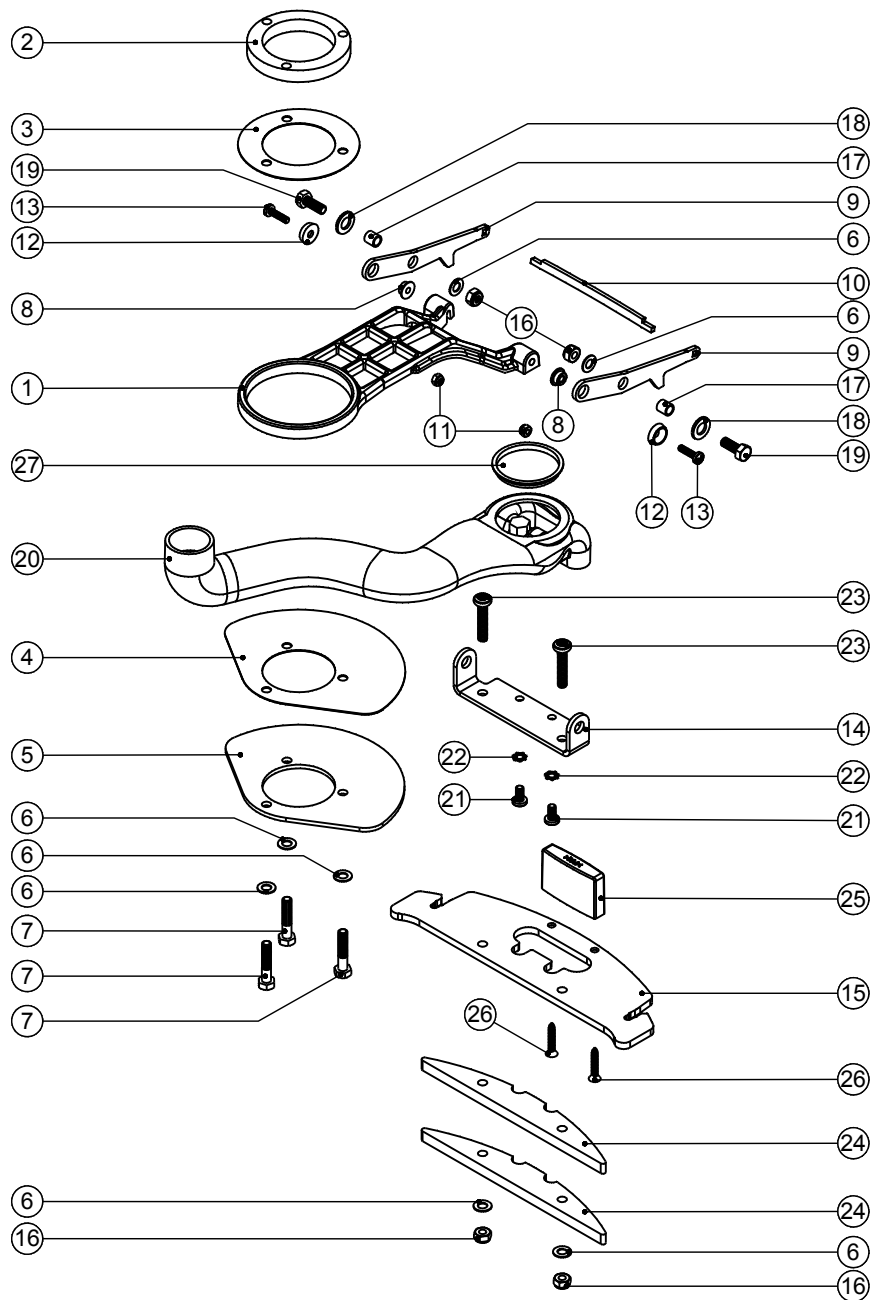
**Model No:** TT 1840 MAINS BASE ASSEMBLY DRAWING (110-120V / 220-240V 50/60Hz)

ITEM NO.	PART No.	DESCRIPTION	QTY.
1	429137	TT 1840 CHASIS (MAINS) Z/PL	1
2	208490	TTB 1840 WHEEL WASHER	4
3	208556	TT/B 1840 WHEEL	2
4	206637	STAINLESS STEEL BEARING	4
5	429127	NUT RETAINING PLATE Z/PL	1
6	219642	M6 STAINLESS STEEL NYLON INSERT NUT	16
7	908213	SOLENOID PLATE (TT/TTB1840)	1
8	219633	M5 STAINLESS STEEL NYLON INSERT NUT	1
9	208461	30MM GEARBOX SPACER	1
10	208460	29MM GEARBOX SPACER	1
11	208459	28MM GEARBOX SPACER	1
12	291021	M6 X 90MM LONG STAINLESS STEEL HEXAGONAL HEAD BOLT	3
13	220348	SOLENOID VALVE 240V 50/60HZ	1
	220350	SOLENOID VALVE 110V 50/60HZ (110-120V)	1
18	206754	EMD GEARBOX (GB12) (18.67:1 RATIO)	1
	206791	EMD GEARBOX (GB12) (21:1 RATIO) (120V)	1
17	219887	M6 X 16MM STAINLESS STEEL CAP HEAD SCREW	2
18	219544	M6 SHAKEPROOF WASHER	2
19	392092	TTB 1840 HANDLE MOUNTING BRACKET	1
20	219719	M6 X 16MM LONG HEXAGONAL STAINLESS STEEL HEAD BOLT	4
21	219560	M6 FORM B STAINLESS STEEL WASHER	4
22	208472	RUBBER SPACER	4
23	429124	TTB 1840 FRONT MOTOR PLATE	1
24	429125	TTB 1840 REAR VAC MOTOR PLATE	1
25	219976	M6 X 20MM LONG HEXAGONAL HEAD SET SCREW	4
26	237240	TTB 1840 LIFT SPACER	1
27	237241	TTB 1840 SCREW END	2
28	219667	No6 X 1/2" LONG PLASTITE SCREW	1
29	219602	No6 X 1 INCH LONG POZI PAN PLASTITE SCREW (Z/PL)	1
30	392317	RAISER PLATE	1
31	219825	NO8 X 1 1/2 INCH LONG POZI PAN STAINLESS STEEL PLASTITE SCREW	2
32	219870	M6 FORM A WASHER STAINLESS STEEL	3
33	208465	TTB 1840 HANDLE SPACER	1
34	219706	M5 X 45MM LONG STAINLESS STEEL HEXAGONAL BOLT	1
35	229187	15MM SPACER	2
36	303962	SOLENOID TUBE (230MM)	1
37	206796	BARBED CONNECTOR	1
38	208447	TTB 1840 DRIVE SHAFT	1
39	230048	26MM EXTERNAL CIRCLIP	1
40	219523	GROOVED PIN	1
41	606334	TT1840 VAC MOTOR SPARES KIT	1
	606335	TT1840 VAC MOTOR SPARES KIT (120V)	1
43	208477	MOTOR PAD	1
44	21965V	M6 X 40MM LONG HEX BOLT	2
45	208285	10mfd CAPACITOR DOUBLE TERMINALS M8 STUD SIZE 36x58 (4.16.10.15.64)	1
	220887	CAPACITOR.50uF.250.83.40.40.5 (120V)	2
47	219754	M8 FLANGED NUT	1
48	219345	12MM EXTERNAL CIRCLIP	2
49	237218	TTB 1840 VAC DIFFUSER	1
50	219547	M5 X 16MM LONG POZI PAN STAINLESS STEEL SCREW	3
51	219861	M5 SINGLE COIL STAINLESS STEEL WASHER	3
52	219644	M5 FORM G STAINLESS STEEL WASHER	3
53	304461	TT1840 REAR SPLASH PLATE	1
54	304462	TT1840 MOTOR SPLASH PLATE	1
55	219922	M8 X 50MM LONG SOCKET BUTTON HEAD STAINLESS STEEL BOLT	3
56	219639	M8 STAINLESS STEEL NYLON INSERT NUT	3
57	237532	UPPER LIFT BLOCK	1
58	219568	NO8.3/4 INCH LG.POZI-PAN.SCREW.STAINLESS STEEL.PLASTITE	2
59	219010	M8 FORM A WASHER	6
60	902831	HIDRIA BRUSH MOTOR WITH FAN: 250W, 220-240V, 0707-3-8391	1
72	902830	HIDRIA BRUSH MOTOR WITH FAN: 250W, 120V, 0707-3-8381	1
62	903639	FLUID CHANNEL	1
63	904758	CHUCK (TO SUIT FLUID CHANNEL)	1
64	904769	TUBE SECTION (ST9.5E12.5R10)	1
65	903926	TTB 1840 SQUEEGEE LIFT ARM (RED)	1
66	903879	TTB 1840 SQUEEGEE LIFT HANDLE (RED)	1
67	220007	BLACK CABLE TIE	1
68	900986	NYLON GROMMET NUT (PLASTIC INSERT TO SUIT No 8 PLASTITE SCREW)	8
69	906626	TBLOCK SUPPORT PLATE	1
70	219569	NO8.1/2 INCH. LG.POZI-PAN.SCREW.STAINLESS STEEL.PLASTITE	6
71	906519	HYLEC 4X3 TERMINAL BLOCK ASSEMBLY (HY508/4 V/3F)	1
72	219471	M4 X 12MM LONG POZI PAN SEMS SCREW	1
73	903260	M8 BOLT AND NUT CAP	3
74	219008	M6 FORM G WASHER	4
75	330103	MOTOR WIRE SLEEVE (230MM CUT LENGTH)	1

# Numatic International Spare Parts

Model No: SWING ARM ASSEMBLY EXPLODED DRAWING

234839,330042  
DRAWING: DRW-10739 ISS:A09  
05/07/2019



# Numatic International Spare Parts

Model No: SWING ARM ASSEMBLY EXPLODED DRAWING

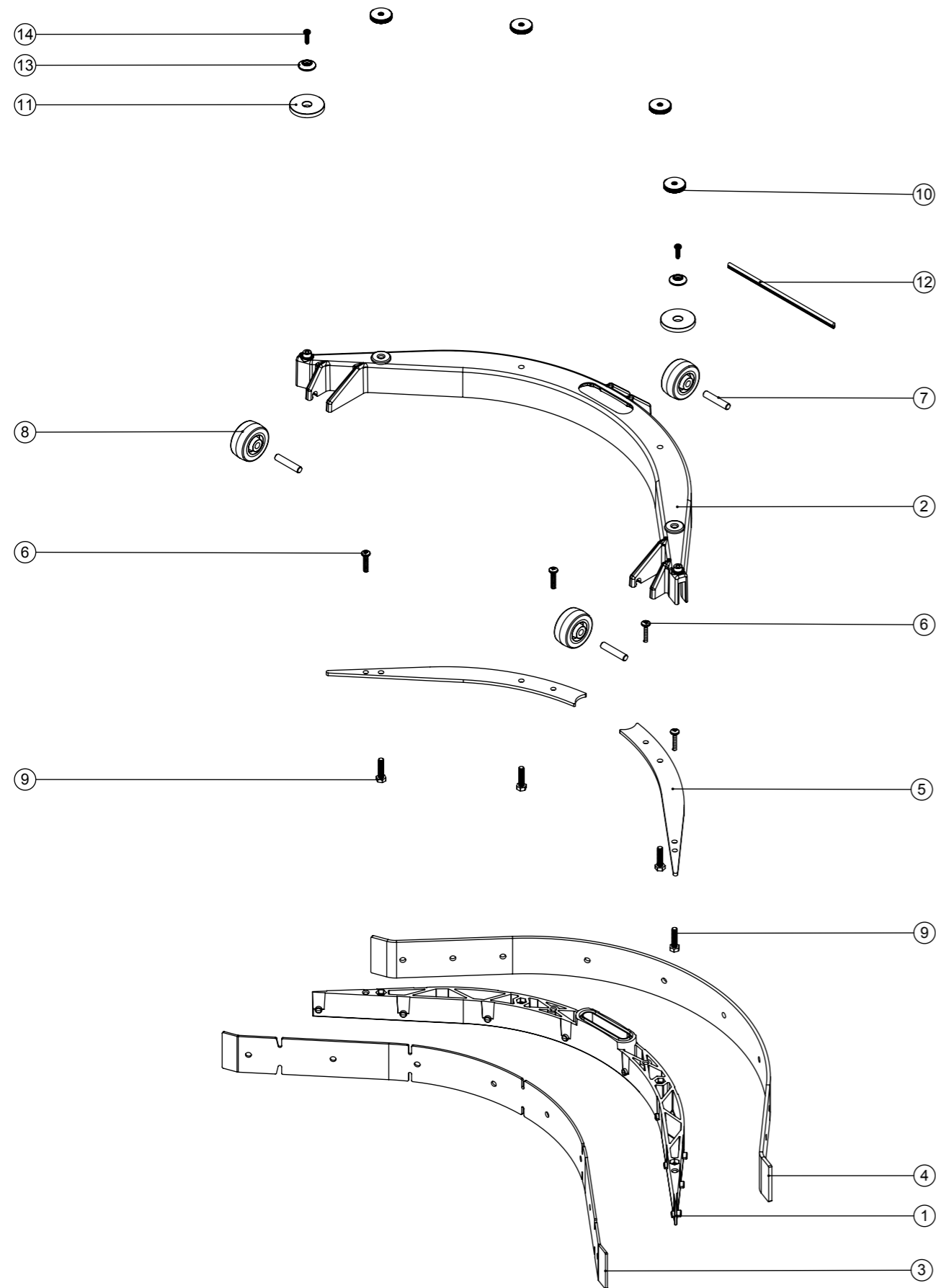
ITEM NO.	PART No.	DESCRIPTION	QTY.
1	429133	TTB 1840 SWING ARM PAINTED	1
2	208449	TTB 1840 SWING ARM CENTRE PIVOT	1
3	208491	TTB 1840 NYLON DISC	1
4	208482	TTB 1840 SWING ARM NYLON PLATE	1
5	429126	TTB 1840 SWING ARM BOTTOM PLATE	1
6	219560	M6 FORM B STAINLESS STEEL WASHER	7
7	291022	M6 X 30MM LONG STAINLESS STEEL HEXAGONAL HEAD BOLT	3
8	237265	PIVOT BUSH	2
9	392120	TT/TTB 1840 SQUEEGEE PIVOT ARM	2
10	392124	TTB 1840 SQUEEGEE LIFT PLATE	1
11	219687	M4 STAINLESS STEEL NYLON INSERT NUT	2
12	219573	SCREW INSULATOR	2
13	219862	M4 X 16MM LONG POZI PAN STAINLESS STEEL SCREW	2
14	392119	PIPE CONNECTING BRACKET	1
15	429129	TTB 1840 SQUEEGEE SKID PLATE	1
16	219642	M6 STAINLESS STEEL NYLON INSERT NUT	4
17	208475	8MM SPACER	2
18	219578	M8 FORM A STAINLESS STEEL WASHER	2
19	219719	M6 X 16MM LONG HEXAGONAL STAINLESS STEEL HEAD BOLT	2
20	903535	FLUID PIPE PROCESSED (GRAPHITE) (SALES USE 902531)	1
21	219668	M5 X 10MM LONG POZI PAN STAINLESS STEEL SCREW	2
22	291020	M5 STAINLESS STEEL EXTERNAL SHAKEPROOF LOCK WASHER	2
23	219984	M6 X 30MM LG POZI-PAN STAINLESS STEEL MACHINE SCREW	2
24	429131	TTB 1840 ADDITIONAL WEIGHT	2
25	237531	LOWER LIFT BLOCK	1
26	291086	No.8 X 1 A2 S/ST PZ COUNTER SUNK. SELF TAP TYPE AB	2
27	901880	PROTECTION PLUG DIA 43MM	1

# Numatic International Spare Parts

**Model No:** TTB 1840 SQUEEGEE EXPLODED DRAWING ASSEMBLY

234807  
DRAWING: DRW-7011 ISS:A12  
20/06/2019

NB: FOR WIRING SEE DRAWING: WD-0???



# Numatic International Spare Parts

**Model No:** TTB 1840 SQUEEGEE EXPLODED DRAWING ASSEMBLY

ITEM NO.	PART NO.	DESCRIPTION	QTY.
1	237235	TTB 1840 SQUEEGEE INNER MOULDING	1
2	237236	TTB 1840 SQUEEGEE OUTER MOULDING	1
3	903531	TT1840 SQUEEGEE BLADE SET (FRONT & REAR)	1
4			1
5	429130	TTB 1840 SQUEEGEE SIDE PLATE Z/PL	2
6	219568	NO8.3/4 INCH LG.POZI-PAN.SCREW.STAINLESS STEEL.PLASTITE	4
7	208610	TTB 1840 SQUEEGEE AXLE	3
8	208454	TTB 1840 SQUEEGEE WHEEL	3
9	291029	M5.20MM LG.HEX.SCREW S/S	4
10	909728	FLAT KNURLED NUT M5	4
11	237266	BUFFER WHEEL	2
12	209077	SQUEEGEE SEAL EXTRUSION	1
13	208603	NYLON FINISHING WASHER (BLACK)	2
14	291053	3.5 X 12MM POZI PAN PLASTITE SCREW S/S	2

COMPLETE SQUEEGEE ASSEMBLY  
903532 - TTB1840 SQUEEGEE W/SERILOR POLYURETHANE BLADES